



ARMOR COAT™
TRIM & FASCIA

Armor Coat™
Protection From The Inside Out
Installation Instructions



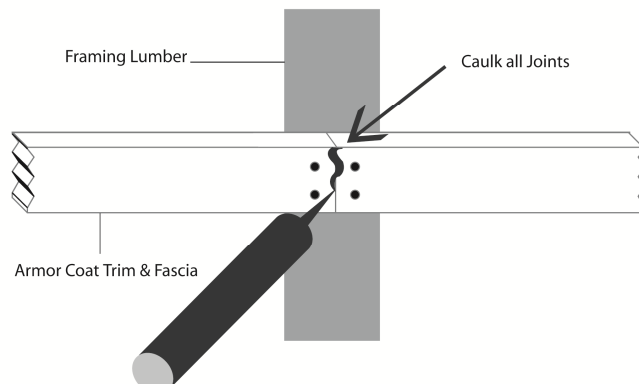
Installation & Handling Instructions: Armor Coat Trim & Fascia Products

Storage:

Armor coat products must be stored flat in a clean and dry environment until time of installation. Avoid any contact with the ground, concrete, or standing water.

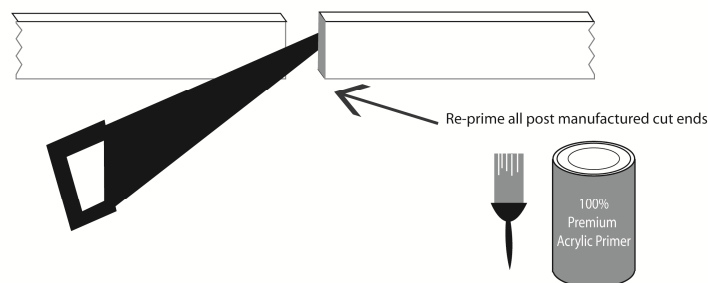
Caulking:

Armor Coat products must have all butt and scarf joints caulked with a quality, exterior rated, flexible caulk prior to paint application. All non-trim/fascia abutments must be caulked and sealed with the same exterior grade caulk. Speak with your Armor Coat representative for a list of suitable caulking products.



Priming Cut Ends:

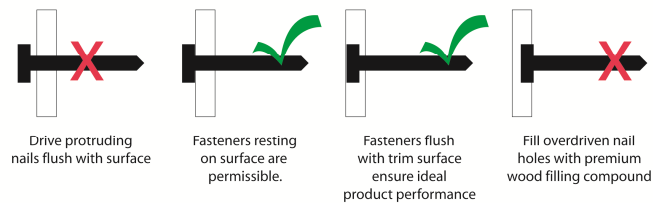
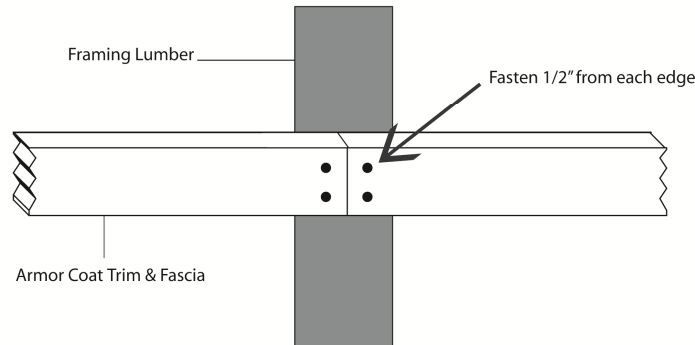
All ends exposed due to post-manufacturing field cuts must be sealed with a premium 100% acrylic primer to ensure no fiber is left exposed to the elements.



Instructions Continue...

Fastening:

Double nail all joints. Do not nail any less than 1/2" from any edge. Drive all perpendicular to the framing lumber and the trim/fascia product, and drive all nails flush with the trim products surface.



Preparation:

Armor Coat Products must be clean and free from dirt, dust, mildew and any other foreign particulate matter prior to painting.

To clean:

- Remove dirt and dust by gently washing trim surface with a brush & water.
- Do NOT use a pressure washer.
- Allow ample dry time for all armor coat products prior to painting.

Top Coating:

Armor Coat products must be top coated with two coats of an un-thinned, quality 100% acrylic exterior grade paint intended for wood siding. This top coat must be applied to a clean Armor Coat surface within 60 days of installation. Paint must be applied and maintained, including repainting to avoid any exposure to the elements, in strict accordance with the manufacturers' specifications. Belco Forest Products, Inc. does not warrant the primed surface from blistering and peeling resulting from breakdown of top coat paint film.



Top coat with two coats of Premium Acrylic Exterior Grade Paint